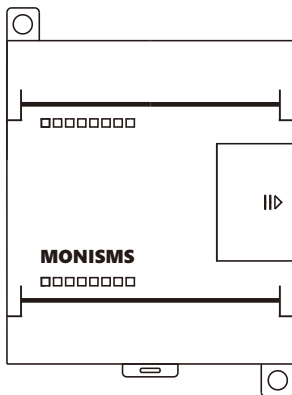


MNS-AMP30XXA-2P

MNS-AMP3011A-2P / MNS-AMP3012A-2P / MNS-AMP3022A-2P

User Manual



Network Audio Amplifiers
With DANTE/ AES67/ POE+/ 1000M switch

COMMERCIAL AUDIO SYSTEMS

MONISMS

This instructions are intended for installers with knowledge in network technology. Please read the instructions carefully prior to operation and keep them for later reference.

Applications

MNS-AMP30XXA-2P is powered by standard POE+ and has a MAX power of 30 watts. If there is not POE+ used, It can used the external 19VDC power supply.

Dante Audio Amplifier can be mounted on a DIN rail or screwed onto a panel or wall for easy installation in a remote closet near the speaker area.

The MONISMS Dante Audio Amplifier is a compact power amplifier module that drives 4-8Ω speakers [Ceiling Speaker, In-wall Speaker, Pendant Speaker Column Speaker etc.]

The module's audio input is via an Ethernet audio network, allowing the use of the DANTE/ AES67 audio network protocol.

Features:

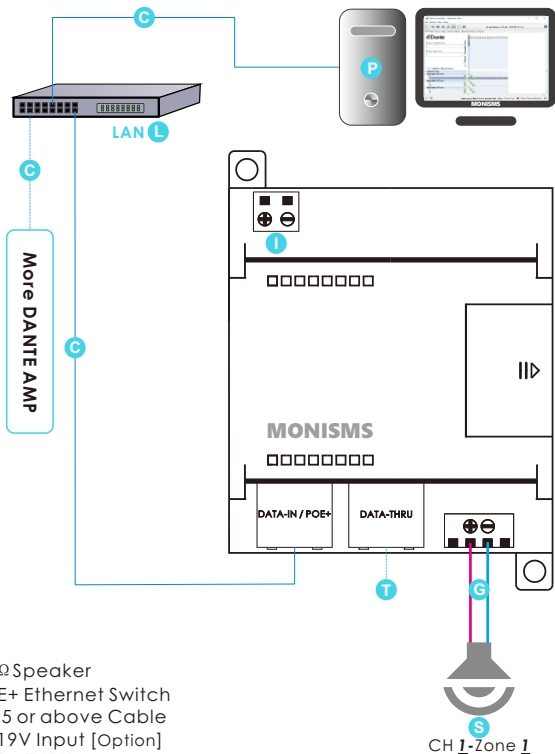
- Network Enabled Amplifier by Dante™
- Power Supply via POE+ or 19V Power Supply [option]
- RJ45 Connection for Audio from POE+ Ethernet
- 2*RJ45, [Two RJ45 gigabit RJ45 ports to support daisy chaining]
With 1000M switch for feed-through output.
- Dante Domain Manager and AES67 Support
- High quality digital audio
- CE / EMC / LVD/ RoHS Passed

System Specifications

Frequency Response	20 Hz - 20 KHz
Audio Input	Dante Audio via Ethernet
Output Power	30W
Signal to Noise Ratio	105dB
RJ45 Interface	2*RJ45, [Two RJ45 gigabit RJ45 ports to support daisy chaining] With 1000M switch for data feed-through output.
Audio Network System Compatibility	Dante / Dante Domain Manager / AES67
Route switching control	Dante™ controller software
Power supply	Power supply via POE+ [Power over Ethernet, IEEE 802.3at-2009] or DC 19 V [4.74A] power supply, available at option

Channel zoning illustration

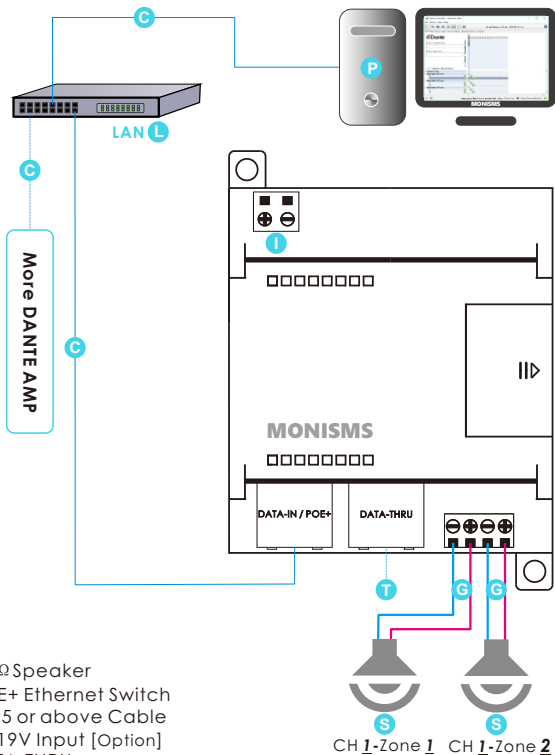
[Model: **MNS-AMP3011A-2P**] 1 Channel
30W Output [1 Pair Speaker Terminals]



- S** 4-8Ω Speaker
- L** POE+ Ethernet Switch
- C** Cat5 or above Cable
- I** DC19V Input [Option]
- T** DATA-THRU
- P** PC – Dante Controller / Dante Virtual Soundcard / VIA / Audio Player
- G** Two conductor loudspeaker wires

Channel zoning illustration

[Model: **MNS-AMP3012A-2P**] 1 Channel
2*15W Output [2 Pairs Speaker Terminals]



S 4-8 Ω Speaker

L POE+ Ethernet Switch

C Cat5 or above Cable

I DC19V Input [Option]

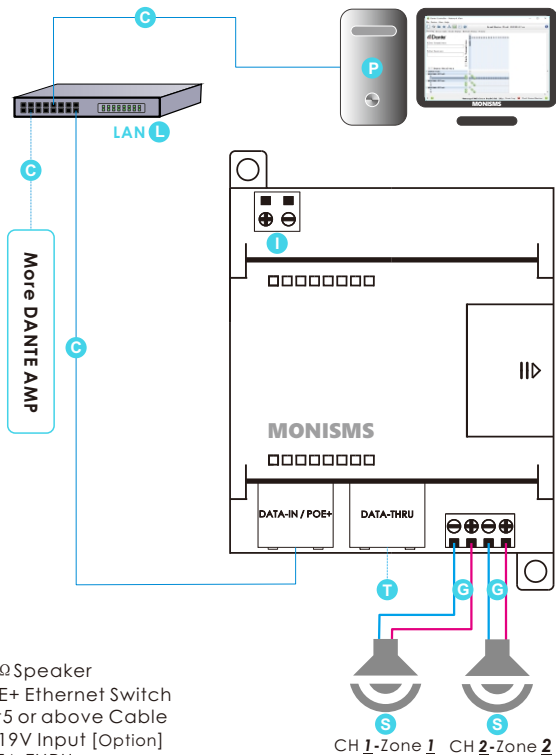
T DATA-THRU

P PC – Dante Controller / Dante Virtual Soundcard / VIA / Audio Player

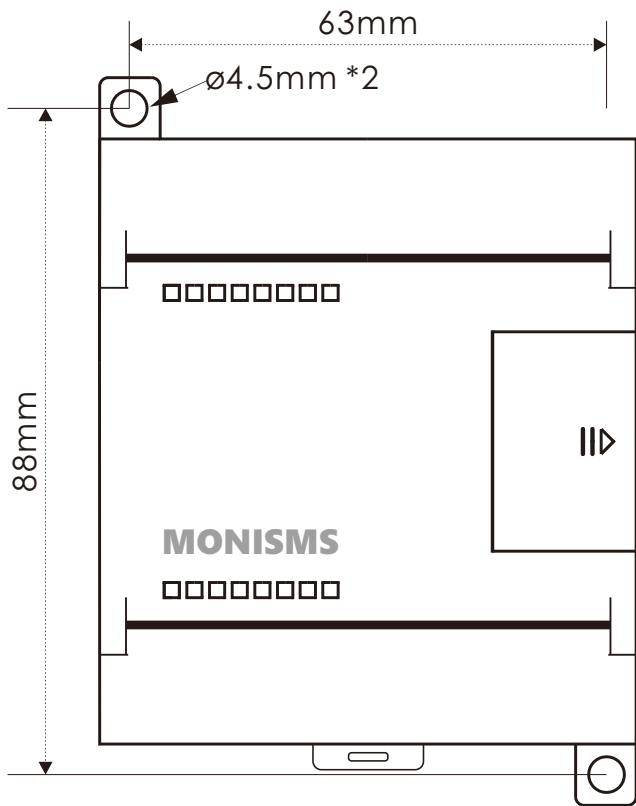
G Two conductor loudspeaker wires

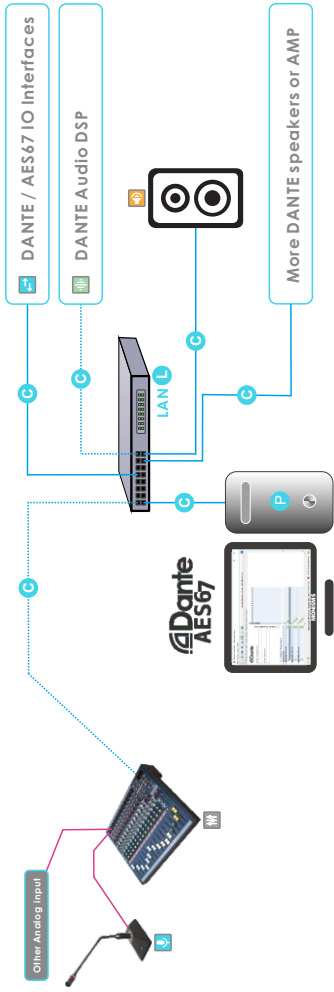
Channel zoning illustration

[Model: **MNS-AMP3022A-2P**] **2** Channels
2*15W Output [**2** Pairs Speaker Terminals]



- S** 4-8 Ω Speaker
 - L** POE+ Ethernet Switch
 - C** Cat5 or above Cable
 - I** DC19V Input [Option]
 - T** DATA-THRU
 - P** PC – Dante Controller / Dante Virtual Soundcard / VIA / Audio Player
 - G** Two conductor loudspeaker wires
- CH 1-Zone 1 CH 2-Zone 2





- P** – Dante Controller / Dante Virtual Soundcard / VIA / Audio Player APP
- L** – Ethernet Switch
- I** – DANTE / AES67 IO Interfaces [Analog / AES3 / SPDIF / Bluetooth]
- M** – MIXER
- C** – DANTE Audio DSP
- D** – DANTE Speaker



Common FAQs

We've collected the following FAQ's from years of helping clients achieve success.

<https://www.monisms.com/en-us/common-faqs>



Downloads

Download the latest software updates from MONISMS. Product firmware, software upgrades and standalone applications.

<https://www.monisms.com/en-us/download>

The brand Dante® as well as the Dante® software which may have been integrated into these products are licenced by Audinate Pty Ltd.

Important Notes

The unit corresponds to all relevant directives of the EU is therefore marked with .

- The unit is suitable for indoor use only. Protect it against dripping water, splash water and high air humidity. The admissible ambient temperature range is 0 – 40 °C.
- For cleaning only use a dry, soft cloth; never use water or chemicals.
- No guarantee claims for the unit and no liability for any resulting personal damage or material damage will be accepted if the unit is used for other purposes than originally intended, if it is not correctly installed, or if it is not repaired in an expert way.



If the unit is to be put out of operation definitively, take it to a local recycling plant for a disposal which is not harmful to the environment.

**MONISMS INTERNATIONAL LIMITED
MONISMS TECHNOLOGY (ZHUHAI) LIMITED**

E-mail: monisms@monisms.com
Website: www.monisms.com

MONISMS's operates a policy of continuous research and development. The introduction of new materials or manufacturing methods will always equal or exceed the published specifications.
All specifications are subject to change without notice.
Copyright (c) 2019 MONISMS. All rights reserved.