

MNS-6A**XX**CS-2P

MNS-6A11CS-2P / MNS-6A12CS-2P / MNS-6A22CS-2P

User Manual



**Flush-Mount Stereo Ceiling Speakers
With DANTE/ AES67/ POE+/ 1000M switch**

COMMERCIAL AUDIO SYSTEMS

MONISMS

This instructions are intended for installers with knowledge in network technology. Please read the instructions carefully prior to operation and keep them for later reference.

Applications

This speaker is specially designed for PA systems based on Dante audio networks. It is suitable for installation into a lightweight ceiling.

The MNS-6AXXCS-2P is ideal for hotels, conference rooms, shopping center, education, hospitals, retail stores, performing art centers, restaurants, airports, houses of worship, and board rooms.

The speaker features a Class-D amplifier, With a maximum digital input signal, the amplifier will provide 30W power.

MONISMS MNS-6AXXCS-2P is a Dante™ audio network addressable and self-amplified ceiling speaker system.

The speaker is Power supply via POE+ (Power over Ethernet) or DC19V power supply, available at option. The speaker includes a Class-D amplifier which provides effective use of power.

This system will solve the issue of having to provide a separate amplifier or I/O interface for speaker installations.

The audio network system is also compatible with AES67 which makes this speaker system to be flexible with other audio network systems.

The network system is also Dante Domain Manager Ready.

The system comes with 6.25" coaxial 60W loudspeaker driver, MNS-6AXXCS-2P that has excellent dispersion, wide bandwidth and smooth frequency response which makes this the top choice for today's overhead commercial applications.

This assembly can be used in wide range of projects for paging and background music applications.

Features:

- Network Enabled Loudspeaker by Dante™
- Power Supply via POE+ or 19V Power Supply [option]
- RJ45 Connection for Audio from POE+ Ethernet
- 2* RJ45, [Two RJ45 gigabit RJ45 ports to support daisy chaining] With 1000M switch for feed-through output.
- Frameless, Flat Design, Magnetic Ultra-thin Grilles
- AES67 Compatible
- Dante Domain Manager Ready
- CE Passed

System Specifications

Frequency Response	20 Hz - 20 KHz
Audio Input	Dante Audio via Ethernet
Output Power	30W
Signal to Noise Ratio	105dB
RJ45 Interface	2*RJ45, [Two RJ45 gigabit RJ45 ports to support daisy chaining] With 1000M switch for data feed-through output.
Audio Network System Compatibility	Dante / Dante Domain Manager / AES67
Route switching control	Dante™ controller software
Power supply	Power supply via POE+ [Power over Ethernet, IEEE 802.3at-2009] or DC 19 V [4.74A] power supply, available at option

Speaker Technical Specifications

Tweeter	1"swirl loaded dome tweeter
Woofer Cone	6.25"aluminium cone bass/midrange
Rated Power	60W
Rated impedance	8Ohm
Frequency Range	45Hz-20KHz
Sensitivity	91 dB
Hole Size	Ø206mm
Dimension	Ø235*155mm [Diameter*Thickness]
Material	ABS
Diameter of the Grille	Ø232mm
Protrusion	Grilles thickness only 4mm

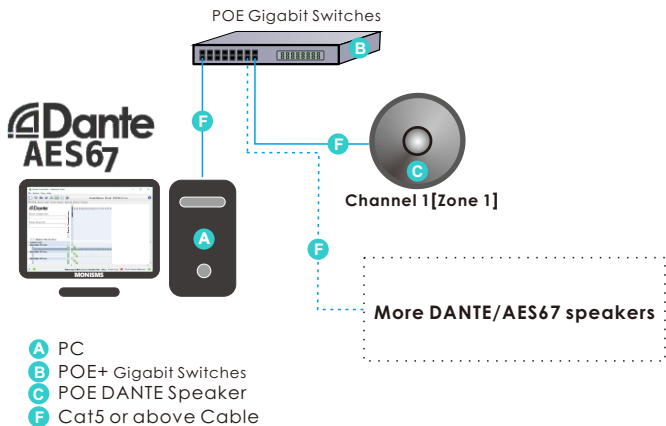
MONISMS DANTE/AES67 Ceiling Speaker Advantage

- No need to have separate dante enabled AMP or I/O interface.
- Cost effective simple one system solution.
- High quality digital audio.
- Simple and easy installation, maintenance and expansion.
- Easy configuration / adjustable the sound area through software.
- Compatible with DANTE/AES67 protocols.

Channel zoning illustration

[Model:MNS-6A11CS-2P] 1 Channel

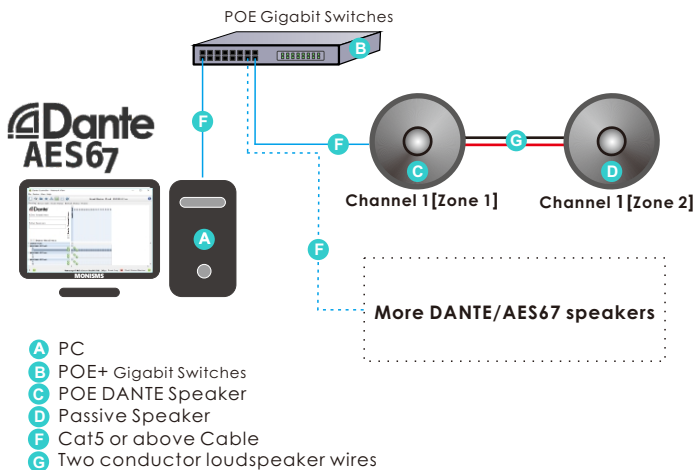
Only Master DANTE Speaker



Channel zoning illustration

[Model:MNS-6A12CS-2P] 1 Channel

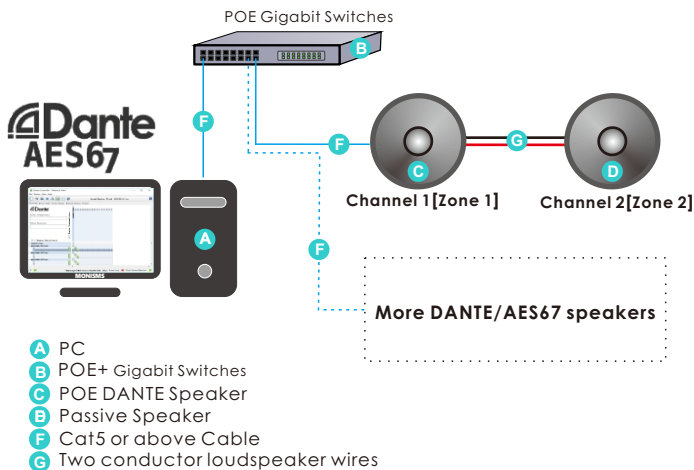
Reserve Additional Passive Speaker Terminals



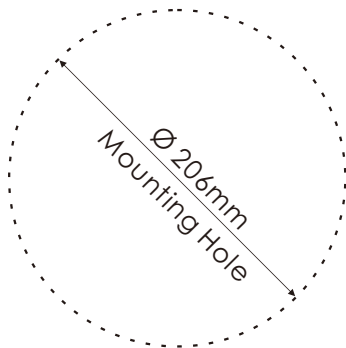
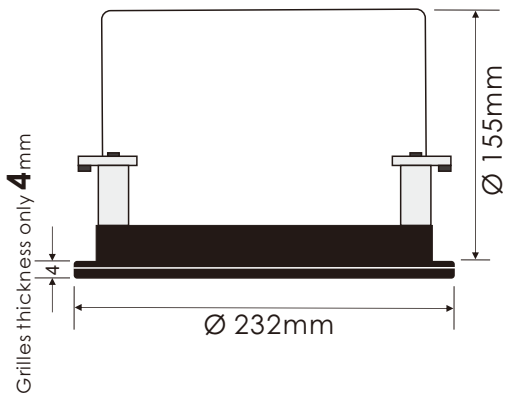
Channel zoning illustration

[Model:**MNS-6A22CS-2P**] 2 Channels

[One Channel for Master Speaker, Another Channel for Passive Speaker], Reserve Additional Passive Speaker Terminals.



Installation Dimensions





Common FAQs

We've collected the following FAQ's from years of helping clients achieve success.

<https://www.monisms.com/en-us/common-faqs>



Downloads

Download the latest software updates from MONISMS. Product firmware, software upgrades and standalone applications.

<https://www.monisms.com/en-us/download>

The brand Dante® as well as the Dante® software which may have been integrated into these products are licenced by Audinate Pty Ltd.

Important Notes

The unit corresponds to all relevant directives of the EU is therefore marked with .

- The unit is suitable for indoor use only. Protect it against dripping water, splash water and high air humidity. The admissible ambient temperature range is 0 – 40 °C.
- For cleaning only use a dry, soft cloth; never use water or chemicals.
- No guarantee claims for the unit and no liability for any resulting personal damage or material damage will be accepted if the unit is used for other purposes than originally intended, if it is not correctly installed, or if it is not repaired in an expert way.



If the unit is to be put out of operation definitively, take it to a local recycling plant for a disposal which is not harmful to the environment.

**MONISMS INTERNATIONAL LIMITED
MONISMS TECHNOLOGY (ZHUHAI) LIMITED**

E-mail: monisms@monisms.com
Website: www.monisms.com

MONISMS's operates a policy of continuous research and development. The introduction of new materials or manufacturing methods will always equal or exceed the published specifications.

All specifications are subject to change without notice.
Copyright (c) 2019 MONISMS. All rights reserved.