

# MNS-6522CS

ARCHITECTURAL SPEAKERS  
User Manual



Set of Flush-Mount Stereo Speakers  
With DANTE/ AES67/ POE+

COMMERCIAL AUDIO SYSTEMS

**MONISMS**

This instructions are intended for installers with knowledge in network technology. Please read the instructions carefully prior to operation and keep them for later reference.

## Applications

This speaker is specially designed for PA systems based on Dante audio networks. It is suitable for installation into a lightweight ceiling. The MNS-6522CS is ideal for hotels, conference rooms, shopping center, education, hospitals, retail stores, performing art centers, restaurants, airports, houses of worship, and board rooms.

The speaker features a 2-way speaker system and a Class-D amplifier. With a maximum digital input signal, the amplifier will provide 30 W of power.

MONISMS MNS-6522CS is a Dante™ audio network addressable and self-amplified ceiling speaker system.

The speaker is Power supply via PoE+ (Power over Ethernet) or DC19V power supply, available at option. The speaker includes a Class-D amplifier which provides effective use of power.

This system will solve the issue of having to provide a separate amplifier or I/O interface for speaker installations.

The audio network system is also compatible with AES67 which makes this speaker system to be flexible with other audio network systems.

The network system is also Dante Domain Manager Ready.

The system comes with 6.5" coaxial 60W loudspeaker driver, MNS-6522CS that has excellent dispersion, wide bandwidth and smooth frequency response which makes this the top choice for today's overhead commercial applications.

This assembly can be used in wide range of projects for paging and background music applications.

## Features:

- Network Enabled Loudspeaker by Dante™
- Power Supply via PoE+ or 19V Power Supply [option]
- RJ45 Connection for Audio from PoE+ Ethernet
- Two Channel Audio
- Frameless, Flat Design, Magnetic Ultra-thin Grilles
- AES67 Compatible
- Dante Domain Manager Ready
- CE Passed

## System Specifications

Channels [ zones ]	2 channels system for two separate zones
Frequency Response	96 Hz - 20 kHz [ +/- 3dB ]
Maximum SPL at 1M	102 dB
Nominal Coverage Angle Conical [ 500Hz – 4kHz Average ]	140° Average
Audio Input	Dante Audio via Ethernet
Output Power	30W
Signal to Noise Ratio	>99dB
Power consumption	2 Watts Standby, 30Watts
Input connector on active speaker	RJ-45
Maximum wire length to companion speakers	100ft at 18AWG
Audio Network System Compatibility	Dante / Dante Domain Manager / AES67
Route switching control	Dante™ controller software
Power supply	Power supply via PoE+ [Power over Ethernet, IEEE 802.3at- 2009] or DC 12-19 V [4.74A] power supply, available at option

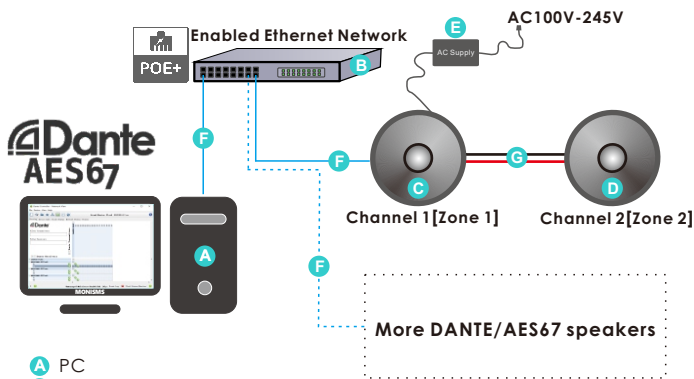
## Speaker Technical Specifications

Tweeter	1"swirl loaded dome tweeter
Woofer Cone	6.25"aluminium cone bass/midrange
Rated Power	60W
Rated impedance	8Ohm
Frequency Range	40Hz-35KHz [-6dB]
Sensitivity	91 ± 2dB
Hole Size	Ø202mm
Dimension	Ø235*155mm [Diameter*Thickness]
Material	ABS
Diameter of the Grille	Ø232mm
Protrusion	Grilles thickness only 4mm

### **MONISMS DANTE/AES67 Ceiling Speaker Advantage**

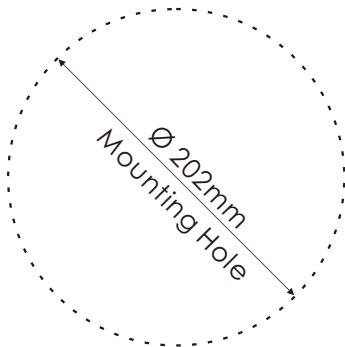
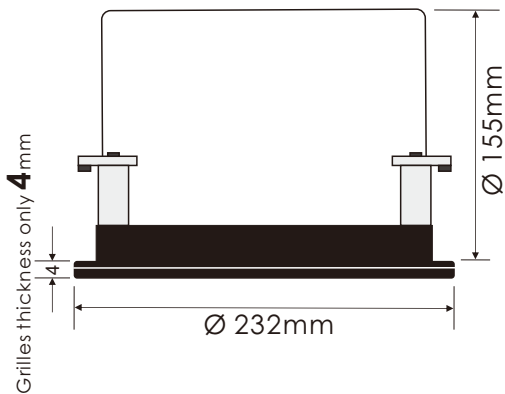
- 2 channels broadcasting system for two separate zones.
- No need to have separate dante enabled amp or I/O interface.
- A Single RJ45 connection to main active speaker with two conductor wire connection to each of the passive speakers.
- Cost effective simple one system solution.

## Channel zoning illustration



- A** PC
- B** PoE+ Enabled Ethernet Network
- C** MNS-6522CS POE DANTE Ceiling Speaker
- D** Ceiling Speaker
- E** AC100V-245V to DC19 V [4.74A] power supply [option]
- F** Cat5 or above Cable
- G** Two conductor loudspeaker wires

## Installation Dimensions





## Common FAQs

We've collected the following FAQ's from years of helping clients achieve success.

<https://www.monisms.com/en-us/common-faqs>



## Downloads

Download the latest software updates from MONISMS. Product firmware, software upgrades and standalone applications.

<https://www.monisms.com/en-us/downloads>

The brand Dante® as well as the Dante® software which may have been integrated into these products are licenced by Audinate Pty Ltd.

## Important Notes

- The unit corresponds to all relevant directives of the EU is therefore marked with .
- The unit is suitable for indoor use only. Protect it against dripping water, splash water and high air humidity. The admissible ambient temperature range is 0 – 40 °C.
  - For cleaning only use a dry, soft cloth; never use water or chemicals.
  - No guarantee claims for the unit and no liability for any resulting personal damage or material damage will be accepted if the unit is used for other purposes than originally intended, if it is not correctly installed, or if it is not repaired in an expert way.



If the unit is to be put out of operation definitively, take it to a local recycling plant for a disposal which is not harmful to the environment.

**MONISMS INTERNATIONAL LIMITED  
MONISMS TECHNOLOGY (ZHUHAI) LIMITED**

E-mail: [monisms@monisms.com](mailto:monisms@monisms.com)  
Website: [www.monisms.com](http://www.monisms.com)

MONISMS's operates a policy of continuous research and development. The introduction of new materials or manufacturing methods will always equal or exceed the published specifications.

All specifications are subject to change without notice.  
Copyright (c) 2019 MONISMS. All rights reserved.